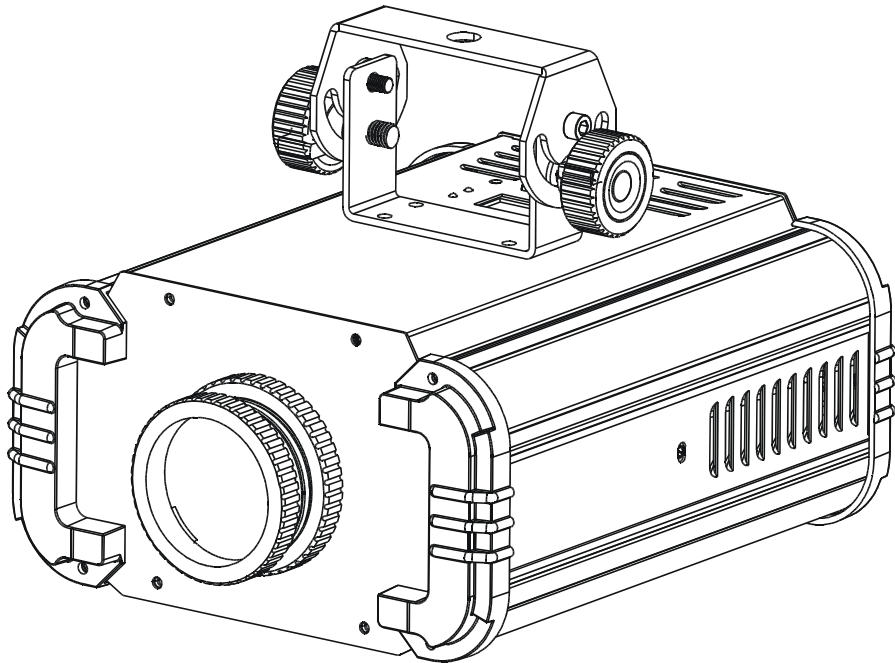




H2O DMX IR



User Instructions

©2015 ADJ Products, LLC all rights reserved. Information, specifications, diagrams, images, and instructions herein are subject to change without notice. ADJ Products, LLC logo and identifying product names and numbers herein are trademarks of ADJ Products, LLC. Copyright protection claimed includes all forms and matters of copyrightable materials and information now allowed by statutory or judicial law or hereinafter granted. Product names used in this document may be trademarks or registered trademarks of their respective companies and are hereby acknowledged. All non-ADJ Products, LLC brands and product names are trademarks or registered trademarks of their respective companies.

ADJ Products, LLC and all affiliated companies hereby disclaim any and all liabilities for property, equipment, building, and electrical damages, injuries to any persons, and direct or indirect economic loss associated with the use or reliance of any information contained within this document, and/or as a result of the improper, unsafe, insufficient and negligent assembly, installation, rigging, and operation of this product.

Europe Energy Saving Notice

Energy Saving Matters (EuP 2009/125/EC)

Saving electric energy is a key to help protecting the environment. Please turn off all electrical products when they are not in use. To avoid power consumption in idle mode, disconnect all electrical equipment from power when not in use. Thank you!

H2O DMX IR

Introduction

Introduction: Thank you for purchasing the H2O DMX IR by ADJ Products, LLC. The H2O DMX IR is an improvement of the very popular H2O DMX LED. This new unit has better optics and brighter LED output producing vibrant colors. The unit can now be controlled using the ADJ UC IR. The unit has 3 operating modes; show mode, manual mode & DMX Controlled. It can be used as a stand alone unit or in a master-slave configuration. This unit is suitable for theaters, studios, retail stores, and other similar locations.

Unpacking: Every H2O DMX IR has been thoroughly tested and has been shipped in perfect operating condition. Carefully check the shipping carton for damage that may have occurred during shipping. If the carton appears to be damaged, carefully inspect your units for any damage and be sure all accessories necessary to operate the system have arrived intact. In the event damage has been found or parts are missing, please contact our toll free customer support number for further instructions. Please do not return the system to your dealer without first contacting customer support.

Customer Support:

ADJ Products, LLC provides a toll free customer support line, to provide set up help and to answer any question should you encounter problems during your set up or initial operation. You may also visit us on the web at www.adj.com for any comments or suggestions. Service Hours are Monday through Friday 8:00 a.m. to 4:30 p.m. Pacific Standard Time.

Voice: (800) 322-6337

Fax: (323) 582-2941

E-mail: support@americandj.com

To purchase parts online visit <http://parts.americandj.com>

Warning! To prevent or reduce the risk of electrical shock or fire, do not expose this unit to rain or moisture.

Caution! There are no user serviceable parts inside this unit. Do not attempt any repairs yourself, doing so will void your manufactures warranty. In the unlikely event your unit may require service please contact ADJ.

Please recycle the shipping carton when ever possible.

H2O DMX IR

General Instructions

To optimize the performance of this product, please read these operating instructions carefully to familiarize yourself with the basic operations of this unit. These instructions contain important safety information regarding the use and maintenance of this unit. Please keep this manual with the unit, for future reference.

H2O DMX IR

Features

- Includes Built-In Hanging Yoke
- 5 Colors Plus White & Split Colors
- Manually Control Color, Rotation Speed, & Dimmer
- 37 Degree Lens & Optional 27 Degree Lens
- Power Cord Daisy Chain (See page 13)
- AJD UC IR Compatible (Sold Separately)

H2O DMX IR

Warranty Registration

The H2O DMX IR carries a two year (730 days) limited warranty. Please fill out the enclosed warranty card to validate your purchase. All returned service items whether under warranty or not, must be freight pre-paid and accompany a return authorization (R.A.) number. The R.A. number must be clearly written on the outside of the return package. A brief description of the problem as well as the R.A. number must also be written down on a piece of paper and included in the shipping container. If the unit is under warranty, you must provide a copy of your proof of purchase invoice. You may obtain a R.A. number by contacting customer support at (800) 322-6337.

H2O DMX IR

Installation

The unit should be mounted using a mounting clamp (not provided), affixing it to the mounting bracket that is provided with the unit. Always ensure that the unit is firmly fixed to avoid vibration and slipping while operating. Always ensure that the structure to which you are attaching the unit is secure and is able to support a weight of 10 times the unit's weight. Also always use a safety cable that can hold 12 times the weight of the unit when installing the fixture. The equipment must be installed by a professional, and it must be installed in a place where it is out of the reach of people's grasp.

- To reduce the risk of electrical shock or fire, do not expose this unit rain or moisture
- Do not spill water or other liquids into or on to your unit.
- Do not attempt to operate this unit if the power cord has been frayed or broken. Do not attempt to remove or break off the ground prong from the electrical cord. This prong is used to reduce the risk of electrical shock and fire in case of an internal short.
- Disconnect from main power before making any type of connection.
- Do not remove the cover under any conditions. There are no user serviceable parts inside.
- Never operate this unit when it's cover is removed.
- Never plug this unit in to a dimmer pack
- Always be sure to mount this unit in an area that will allow proper ventilation. Allow about 6" (15cm) between this device and a wall.
- Do not attempt to operate this unit, if it becomes damaged.
- This unit is intended for indoor use only, use of this product out doors voids all warranties.
- During long periods of non-use, disconnect the unit's main power.
- Always mount this unit in safe and stable matter.
- Power-supply cords should be routed so that they are not likely to be walked on or pinched by items placed upon or against them, paying particular attention to the point they exit from the unit.
- Cleaning -The fixture should be cleaned only as recommended by the manufacturer. See page 16 for cleaning details.
- Heat -The appliance should be situated away from heat sources such as radiators, heat registers, stoves, or other appliances (including amplifiers) that produce heat.
- The fixture should be serviced by qualified service personnel when:
 - A. The power-supply cord or the plug has been damaged.
 - B. Objects have fallen, or liquid has been spilled into the appliance.
 - C. The appliance has been exposed to rain or water.
 - D. The appliance does not appear to operate normally or exhibits a marked change in performance.

Power Supply: The ADJ H2O DMX IR contains a automatic voltage switch, which will auto sense the voltage when it is plugged into the power source. With this switch there is no need to worry about the correct power voltage, this unit can be plugged in anywhere.

DMX-512: DMX is short for Digital Multiplex. This is a universal protocol used as a form of communication between intelligent fixtures and controllers. A DMX controller sends DMX data instructions from the controller to the fixture. DMX data is sent as serial data that travels from fixture to fixture via the DATA "IN" and DATA "OUT" XLR terminals located on all DMX fixtures (most controllers only have a DATA "OUT" terminal).

DMX Linking: DMX is a language allowing all makes and models of different manufactures to be linked together and operate from a single controller, as long as all fixtures and the controller are DMX compliant. To ensure proper DMX data transmission, when using several DMX fixtures try to use the shortest cable path possible. The order in which fixtures are connected in a DMX line does not influence the DMX addressing. For example; a fixture assigned a DMX address of 1 may be placed anywhere in a DMX line, at the beginning, at the end, or anywhere in the middle. When a fixture is assigned a DMX address of 1, the DMX controller knows to send DATA assigned to address 1 to that unit, no matter where it is located in the DMX chain.

Data Cable (DMX Cable) Requirements (For DMX Operation):

The H2O DMX IR is a three channel DMX unit. The DMX address is set on the top panel of the H2O DMX IR. Your unit and your DMX controller require a approved DMX-512 110 Ohm Data cable for data input and data output. We recommend Accu-Cable DMX cables. If you are making your own cables, be sure to use standard 110-120 Ohm shielded cable (This cable may be purchased at almost all professional sound and lighting stores). Your cables should be made with a male and female XLR connector on either end of the cable. Also remember that DMX cable must be daisy chained and cannot be split.



Figure 1

Notice: Be sure to follow figures two and three when making your own cables. Do not use the ground lug on the XLR connector. Do not connect the cable's shield conductor to the ground lug or allow the shield conductor to come in contact with the XLR's outer casing. Grounding the shield could cause a short circuit and erratic behavior.

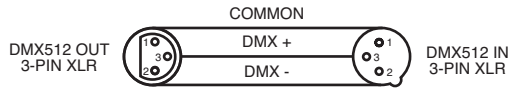


Figure 2

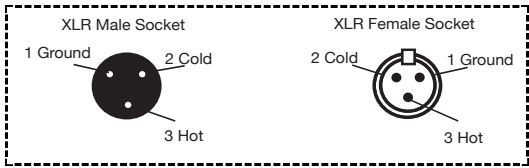


Figure 3

XLR Pin Configuration	
Pin 1 =	Ground
Pin 2 =	Data Compliment (negative)
Pin 3 =	Data True (positive)

Special Note: Line Termination. When longer runs of cable are used, you may need to use a terminator on the last unit to avoid erratic behavior. A terminator is a 110-120 ohm 1/4 watt resistor which is connected between pins 2 and 3 of a male XLR connector (DATA + and DATA -). This unit is inserted in the female XLR connector of the last unit in your daisy chain to terminate the line. Using a cable terminator (ADJ part number Z-DMX/T) will decrease the possibilities of erratic behavior.

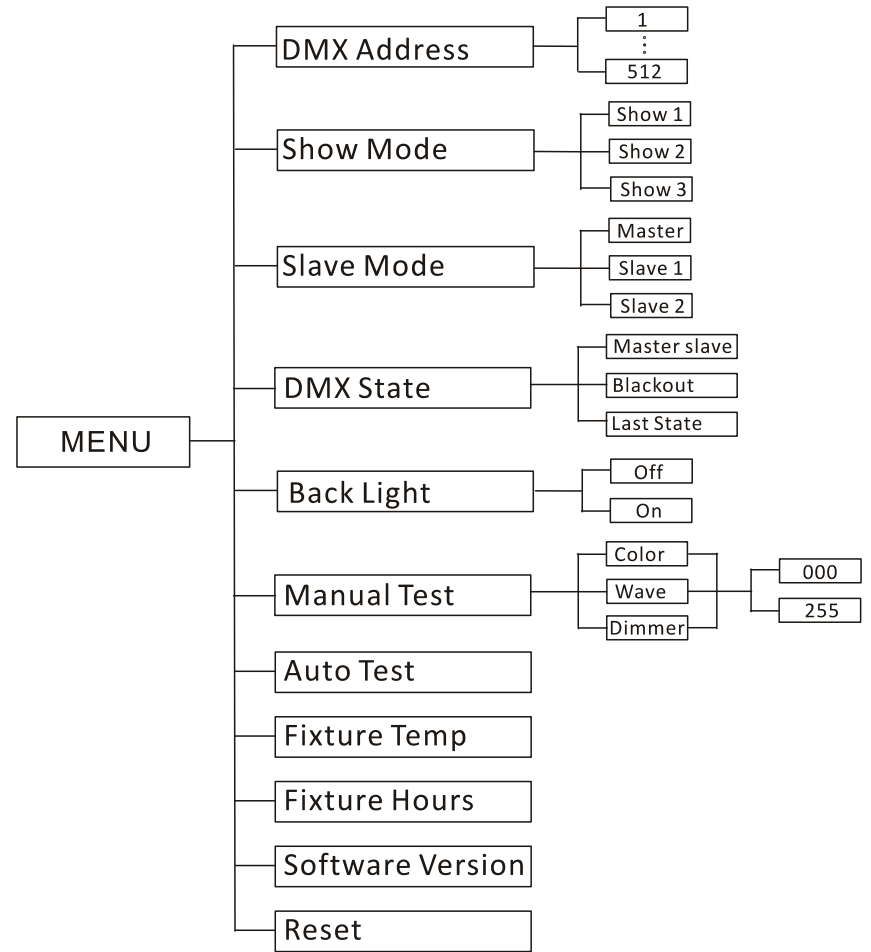


Termination reduces signal errors and avoids signal transmission problems and interference. It is always advisable to connect a DMX terminal, (Resistance 120 Ohm 1/4 W) between PIN 2 (DMX-) and PIN 3 (DMX +) of the last fixture.

Figure 4

5-Pin XLR DMX Connectors. Some manufactures use 5-pin DMX-512 data cables for DATA transmission in place of 3-pin. 5-pin DMX fixtures may be implemented in a 3-pin DMX line. When inserting standard 5-pin data cables in to a 3-pin line a cable adaptor must be used, these adaptors are readily available at most electric stores. The chart below details a proper cable conversion.

3-Pin XLR to 5-Pin XLR Conversion		
Conductor	3-Pin XLR Female (Out)	5-Pin XLR Male (In)
Ground/Shield	Pin 1	Pin 1
Data Compliment (- signal)	Pin 2	Pin 2
Data True (+ signal)	Pin 3	Pin 3
Not Used		Do Not Use
Not Used		Do Not Use



On-Board System Menu. The H2O DMX IR comes with an easy to navigate system menu. This next section will detail the functions of each command in the system menu. ***Please read the next section thoroughly!***

To access the main menu press the MENU button. Press the UP or DOWN buttons until you reach function you wish to change. When you reach the function you wish to change press the ENTER button. When a function is selected use the UP or DOWN buttons to change the function settings. Once your changes are made press the ENTER button, and then press and hold the MENU button for at least three seconds to confirm and lock the change into the system memory. If the MENU button is not pressed and held within eight seconds the fixture will automatically confirm and lock the change into the system memory. To exit without making any changes press the MENU button.

DMX Address - This will let you set your desired DMX address.

1. Press the MENU button until “**DMX Address**” is displayed, press ENTER.
2. The current DMX address will be displayed. Press the UP or DOWN buttons to find your desired address.
3. Press ENTER to confirm, then connect your DMX controller.

Show Mode - Show modes 1-3 (Factory programs).
Show mode can run with or without sound active mode active.

1. Press the MENU button until “**Show Mode**” is displayed, press ENTER.
2. “**Show X**” will now be displayed, “**X**” representing a number between 1-3. Use the UP or DOWN buttons to find your desired show.
3. When you have found your desired show press ENTER, then

press and hold the MENU button for at least 3 seconds to activate. After you have set your desired show, it can be changed at any time using the UP or DOWN buttons.

Slave Mode - This will let you set unit as a master or a slave in a master/slave configuration.

1. Press the MENU button until “**Slave Mode**” is displayed, press ENTER. Either “**Master**”, “**Slave 1**”, “**Slave 2**” will be displayed.
2. Press the UP or DOWN buttons until your desired setting is displayed, press ENTER to confirm.

DMX Last State - This mode can be used as a precaution mode, that in case the DMX signal is lost, interrupted, or power is lost, the operating mode chosen in the setup is the running mode the fixture will go into when the DMX signal is lost. You can also set this as the operating mode you would like the unit to return to when power is applied.

1. Press the MENU button until “**DMX Last State**” is displayed, and press ENTER. The current last state setting will be displayed.
2. Use the UP or DOWN buttons to find a mode you would like the unit to go into in case the DMX signal is lost.

- **Last State** - If the DMX signal is lost the fixture will stay in the last DMX setting. If power is applied and this mode is set, the unit will automatically go into the last DMX set up.

- **Master Slave** - If the DMX signal is lost or power is applied, the unit will automatically go into Master Slave mode and run a built-in show.

- **Blackout** - If the DMX signal is lost or interrupted, the unit will automatically go into stand by mode.

3. Press ENTER to confirm your desired set up.

Back Light - With this function the display back light will turn off after 2 minutes.

1. Press the MENU button until “**Back Light**” is displayed, press ENTER.
2. Either “**ON**” or “**OFF**” will now be displayed. Press the UP or DOWN buttons to select “**ON**” to keep the LED display on at all times, or “**OFF**” to allow the LED display to turn off after 2 minutes. Press any button to turn on the LED display again.
3. Press ENTER, and then press and hold the MENU button for at least three seconds to confirm.

Manual Test - This function will let you manually test the color wheel, water wave, and dimmer. In this function you can also manually adjust and set the color wheel, rotation speed, and dimmer.

1. Press the MENU button until “**Manual Test**” is displayed, press ENTER.
2. Use the UP or DOWN buttons to scroll between “**Color**”, “**Water**”, or “**Dimmer**”. Select the function you would like to test and press ENTER.
3. Use the UP or DOWN buttons to adjust the values to test/check the function. Press the MENU button after testing the functions.
4. You can also make your settings to your desire and stay in the mode, do not exit this mode, and your settings will stay as you have made them.

Auto Test - This function will run a self test program.

1. Press the MENU button until “**Auto Test**” is displayed, press ENTER.

2. The fixture will now run a self test. Press the MENU button to exit.

Fixture Temp. - With this function you can display the fixture temperature.

1. Press the MENU button until “**Fixture Temp.**” is displayed, press ENTER.
2. The fixture temperature will now be displayed. Press the MENU button to exit.

Fixture Hours - With this function you can display the running time of the unit.

1. Press the MENU button until “**Fixture Hours**” is displayed, press ENTER.
2. The running time of the fixture will now be displayed. Press the MENU button to exit.

Firmware Version - This will display the software version

1. Press the MENU button until “**Firmware Version**” is displayed. Press the ENTER button and the software version will be displayed.
2. Press the MENU button to exit.

Reset - This function will reset the unit.

1. Press the MENU button until “**Reset**” is displayed. Press the ENTER button and the unit will reset itself.

H2O DMX IR

DMX Control

Universal DMX Control: This function allows you to use a universal DMX-512 controller to control the master dimmer, rotation and color. A DMX controller allows you to create unique programs tailored to your individual needs.

1. The H2O IR is a 3 channel DMX fixture. See page 14 for detailed description of the DMX values and traits.
2. To control your fixture in DMX mode, follow the set-up procedures on pages 5-6 as well as the set-up specifications that are included with your DMX controller. Follow the instructions on page 8 to set the DMX address.
3. Use the controller's faders to control the various DMX fixture traits.
4. For longer cable runs (more than a 100 feet) use a terminator on the last fixture.
5. For help operating in DMX mode consult the manual included with your DMX controller.

Focusing Lens: The lens can be focused by turning it clockwise or counter-clockwise.

H2O DMX IR

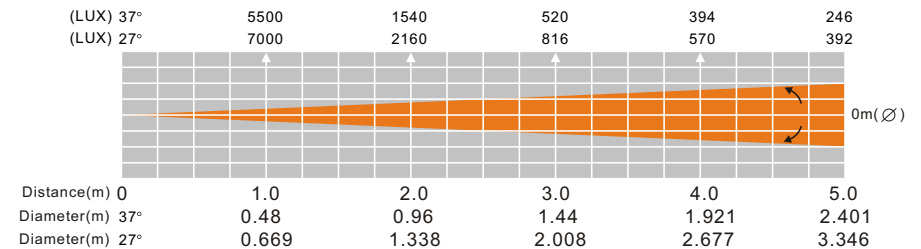
Master-Slave Configuration

Master-Slave Configuration This function will allow you to link up to 16 units together and operate without a controller. In a Master-Slave set up one unit will act as the controlling unit and the others will react to the controlling units programs. Any unit can act as a Master or as a Slave.

1. Using approved DMX data cables, daisy chain your units together via the XLR connector on the rear of the units. Remember the Male XLR connector is the input and the Female XLR connector is the output. The first unit in the chain (master) will use the female XLR connector only - The last unit in the chain will use the male XLR connector only. For longer cable runs we suggest a terminator at the last fixture.
2. Set the Master unit to your desired show. Next, press the MENU button until "**Slave Mode**" is displayed, and press ENTER. Press the UP or DOWN buttons so that "**Master**" is displayed and press ENTER.
3. On the slave units press the MENU button until "**Slave Mode**" is displayed, and press ENTER. Press the UP or DOWN buttons so that either "**Slave 1**" or "**Slave 2**" is displayed and press ENTER.
4. The slave units will now follow the Master unit.

H2O DMX IR

Photometric Chart



H2O DMX IR**ADJ UC IR Control**

The **UC IR** infrared remote gives you control of various functions (See below). To control the fixture you must aim the remote at the front of the fixture and be no more than 30 feet away.

STAND BY - Pressing this button will blackout the fixture.

FULL ON - This button is invalid for the fixture.

FADE/GOBO - Press this button to select your desired wave effect. Use buttons 4-9 to adjust speed and direction. See the chart below.

“DIMMER +” and “DIMMER -” - Use these buttons to adjust the output intensity.

STROBE - This button is invalid for the fixture.

COLOR - Press this button to select your desired color. Use buttons 4-9 to adjust speed and direction. See the chart below.

1-9 - When Show 0 is pressed, buttons 1-3 will allow you to select a show mode to run. When the Fade/Gobo button is pressed, buttons 4-9 will control speed and direction. See the chart below.

SOUND ON & OFF - These buttons are invalid for this fixture.

SHOW 0 - This activates the show mode. Use buttons 1-3 to select your desired show. See the chart below.

1	Show1 (Under Show Mode)
2	Show2 (Under Show Mode)
3	Show3 (Under Show Mode)
4	CW Low Speed (Under Color Mode/ Gobo Mode)
5	CW Middle Speed (Under Color Mode/ Gobo Mode)
6	CW Fast Speed (Under Color Mode/ Gobo Mode)
7	CCW Low Speed (Under Color Mode/ Gobo Mode)
8	CCW Middle Speed (Under Color Mode/ Gobo Mode)
9	CCW Fast Speed (Under Color Mode/ Gobo Mode)

H2O DMX IR**DMX Values & Traits**

Channel	Value	Function
1	1 - 255	MASTER DIMMER 0% - 100%
2	0 - 9 10 - 120 121 - 134 135 - 245 246 - 255	ROTATION NO ROTATION CLOCKWISE ROTATION FAST - SLOW NO ROTATION COUNTER-CLOCKWISE SLOW - FAST NO ROTATION
3	0 - 10 11 - 21 22 - 32 33 - 43 44 - 54 55 - 65 66 - 76 77 - 87 88 - 98 99 - 109 110 - 120 121 - 127 128 - 187 188 - 196 197 - 255	COLOR WHITE WHITE & ORANGE ORANGE ORANGE & GREEN GREEN GREEN & BLUE BLUE BLUE & YELLOW YELLOW YELLOW & PURPLE PURPLE PURPLE & WHITE COUNTER-CLOCKWISE ROTATION FAST - SLOW STOP CLOCKWISE ROTATION SLOW - FAST

H2O DMX IR

27 Degree Lens Install



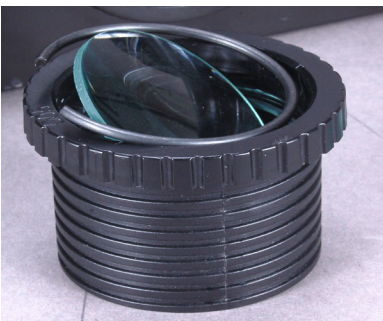
The installation of the lens is a pretty easy process. Please be very careful when doing this install.



Unscrew and remove the focus lens. Using your thumb, gently push the lens outward until it “pops” out.



When the lens “pops” out, the picture to the left is what you should see. Remove the lens and retainer ring.



Flip the focus lens barrel over and insert the lens. Carefully insert the retainer ring. Please do this very carefully. Make sure retainer ring is in correctly, flush against the lens. Now you can screw the focus lens back into the H2O DMX IR.

H2O DMX IR

Power Cord Daisy Chain

With this feature you can connect the fixtures to one another using the IEC input and output sockets. The quantity that can be connected is 10 fixtures maximum for 120V and 17 fixtures maximum for 230V. After the maximum amount of fixtures is connected you will need to use a new power outlet. They must be the same fixtures. DO NOT mix fixtures.

H2O DMX IR

Fuse Replacement

Fuse Replacement: Unplug the unit from any power source it may be connected to. Once the power has been disconnected, use a Phillips head screw driver to unscrew the fuse holder located around the I.E.C. inputs. Remove the bad fuse and replace with a new one, and screw the fuse holder back in.

Warning: If after replacing the fuse you continue to blow fuses, STOP using the unit. Contact customer support for further instructions. Continuing to use the unit may cause serious damage.

H2O DMX IR

Cleaning

Fixture Cleaning: Due to fog residue, smoke, and dust cleaning the internal and external lenses should be carried out periodically to optimize light output.

1. Use normal glass cleaner and a soft cloth to wipe down the outside casing.
2. Clean the external optics with glass cleaner and a soft cloth every 20 days.
3. Always be sure to dry all parts completely before plugging the unit back in.

Cleaning frequency depends on the environment in which the fixture operates (i.e. smoke, fog residue, dust, dew). In heavy use we recommend cleaning on a monthly basis. Periodic cleaning will ensure longevity, and crisp beam output.

H2O DMX IR

Trouble Shooting

Trouble Shooting: Listed below is a problem that you may encounter, with a solution.

No light output from the unit;

1. Be sure the fuse has not blown. The fuse is located on the rear panel inside the power socket. See Fuse Replacement.

H2O DMX IR

Warranty

MANUFACTURER'S LIMITED WARRANTY

- A. ADJ Products, LLC hereby warrants, to the original purchaser, ADJ Products, LLC products to be free of manufacturing defects in material and workmanship for a prescribed period from the date of purchase (see specific warranty period on reverse). This warranty shall be valid only if the product is purchased within the United States of America, including possessions and territories. It is the owner's responsibility to establish the date and place of purchase by acceptable evidence, at the time service is sought.
- B. For warranty service you must obtain a Return Authorization number (RA#) before sending back the product—please contact ADJ Products, LLC Service Department at 800-322-6337. Send the product only to the ADJ Products, LLC factory. All shipping charges must be pre-paid. If the requested repairs or service (including parts replacement) are within the terms of this warranty, ADJ Products, LLC will pay return shipping charges only to a designated point within the United States. If the entire instrument is sent, it must be shipped in its original package. No accessories should be shipped with the product. If any accessories are shipped with the product, ADJ Products, LLC shall have no liability whatsoever for loss of or damage to any such accessories, nor for the safe return thereof.
- C. This warranty is void if the serial number has been altered or removed; if the product is modified in any manner which ADJ Products, LLC concludes, after inspection, affects the reliability of the product; if the product has been repaired or serviced by anyone other than the ADJ Products, LLC factory unless prior written authorization was issued to purchaser by ADJ Products, LLC; if the product is damaged because not properly maintained as set forth in the instruction manual.
- D. This is not a service contract, and this warranty does not include maintenance, cleaning or periodic check up. During the period specified above, ADJ Products, LLC will replace defective parts at its expense with new or refurbished parts, and will absorb all expenses for warranty service and repair labor by reason of defects in material or workmanship. The sole responsibility of ADJ Products, LLC under this warranty shall be limited to the repair of the product, or replacement thereof, including parts, at the sole discretion of ADJ Products, LLC. All products covered by this warranty were manufactured after August 15, 2012, and bear identifying marks to that effect.
- E. ADJ Products, LLC reserves the right to make changes in design and/or improvements upon its products without any obligation to include these changes in any products theretofore manufactured.

No warranty, whether expressed or implied, is given or made with respect to any accessory supplied with products described above. Except to the extent prohibited by applicable law, all implied warranties made by ADJ Products, LLC in connection with this product, including warranties of merchantability or fitness, are limited in duration to the warranty period set forth above. And no warranties, whether expressed or implied, including warranties of merchantability or fitness, shall apply to this product after said period has expired. The consumer's and/or Dealer's sole remedy shall be such repair or replacement as is expressly provided above; and under no circumstances shall ADJ Products, LLC be liable for any loss or damage, direct or consequential, arising out of the use of, or inability to use, this product.

This warranty is the only written warranty applicable to ADJ Products, LLC Products and supersedes all prior warranties and written descriptions of warranty terms and conditions heretofore published.

MANUFACTURER'S LIMITED WARRANTY PERIODS:

- **Lighting Products = 1-year (365 days) Limited Warranty** (Such as: Special Effect Lighting, Intelligent Lighting, UV lighting, Strobes, Fog Machines, Bubble Machines, Mirror Balls, Par Cans, Trussing, Lighting Stands etc. excluding LED and lamps)
- **Laser Products = 1 Year (365 Days) Limited Warranty** (excluding laser diodes which have a 6 month limited warranty)
- **L.E.D. Products = 2-year (730 days) Limited Warranty** (excluding motors, PCB boards, and power supplies, which have a 1-year (365 day Limited Warranty) batteries which have a 180 day limited warranty). Only the L.E.D.s carry a 2-year warranty (excluding StarTec Series which carries a 1 Year Limited Warranty)
- **ADJ DMX Controllers = 2 Year (730 Days) Limited Warranty** (excluding faders and tact switches)

ADJ Products, LLC - www.adj.com - H2O DMX IR Instruction Manual Page 17

H2O DMX IR

Specifications

MODEL:	H2O DMX IR
VOLTAGE:	100V~240V 50/60Hz
LED:	1 X 80W LED
POWER CONSUMPTION:	70W
DIMENSIONS:	11.75"(L) x 9"(W) x 8"(H) 301 x 232 x 207mm
WEIGHT:	9 Lbs/ 4 Kgs
POWER CORD DAISY CHAIN:	10 Fixtures Max. (120V) 17 Fixtures Max. (240V)
FUSE:	3.15 Amp
WORKING POSITION:	Any Safe Position
BEAM ANGLE:	37 Degrees (Standard) 27 Degrees (Optional)
COLORS:	5 + White & Split Colors
WARRANTY:	2 YEARS (730 DAYS)

Auto Sensing Voltage: This fixture contains a automatic voltage switch, which will auto sense the voltage when it is plugged into the power source.

Please Note: Specifications and improvements in the design of this unit and this manual are subject to change without any prior written notice.

ADJ Products, LLC
6122 S. Eastern Ave. Los Angeles, CA 90040 USA
Tel: 323-582-2650 / Fax: 323-725-6100
Web: www.adj.com / E-mail: info@americandj.com

A.D.J. Supply Europe B.V.
Junostraat 2
6468 EW Kerkrade
Netherlands

Follow Us On:



facebook.com/americandj
twitter.com/americandj
youtube.com/adjlighting

service@adjgroup.eu / www.adj.eu
Tel: +31 45 546 85 00 / Fax: +31 45 546 85 99